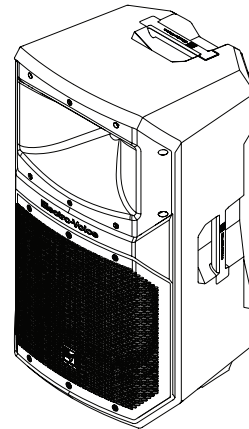


## EVIVA 15P 15" 2-way powered speaker

- Signature Electro-Voice sound quality with selectable MUSIC/LIVE mode
- 1000 watt power rating with high 126 dB maximum SPL
- Flexible mic / line input connections and easy single-knob adjustment with dual-color input signal metering and peak detection
- Bluetooth® audio streaming with switchable mono/stereo mix output
- Universal mains voltage 100 - 240 V auto-switching delivers reliable performance
- Ergonomic, lightweight design with side and top handles, bottom grab pocket, and anti-skid bottom feet



The EVIVA 15P is a 15-inch powered portable loudspeaker that brings Electro-Voice quality sound and reliability to aspiring musicians, DJs, and small venues. It has been designed for quick deployment, so its user-friendly control and easy connectivity combine well with a lightweight design and rapid setup process to ensure that fast, single-person setup is possible. Electro-Voice has launched the EVIVA family to deliver best-in-class performance from a performance focused portable powered loudspeaker. To achieve this optimal sound quality, EVIVA features Electro-Voice's patented SST (Signal Synchronized Transducers) and a custom-designed, high-energy neodymium high frequency compression driver.

Weighing just 14.6 kg, EVIVA 15P offers a wide 90° x 60° (horizontal x vertical) coverage pattern, extended frequency range of 45 Hz – 20 kHz (-10 dB) and high maximum SPL of 126 dB, delivering clean, even sound across the audience area. It offers industry standard connectivity to make setting up any gig as fast as possible with two XLR/TRS combo jack mic/line inputs, an XLR mix output, and Bluetooth® audio streaming with switchable mono/stereo output. The 2-way full range systems feature a robust composite enclosure, 1000 W amplifier, and 2-channel analog input section. The intuitive control panel features gain knobs for level adjustment and switches for mode changes between **MUSIC** and **LIVE** and high pass changes between **NO SUB** and **WITH SUB EVIVA**

**18SP.** The loudspeakers are powered via an IEC mains input with auto-switching universal mains voltage input. Included power cord varies per region.

The portable powered loudspeaker features a stylish, modern heritage design and a simple setup process to ensure users can get the most out of their system quicker.

The universal appeal of EVIVA 15P is backed by a range of existing accessories. The BRKT-POLE-L wall mount brackets will support installations while tripod stands and transport duffel bag support mobile deployment.

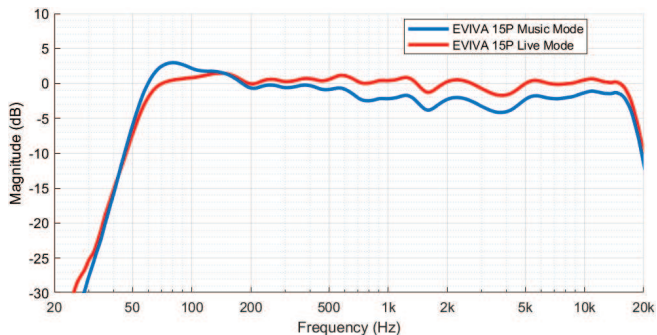
### Technical specifications

Frequency response (-3 dB) (Hz) <sup>1</sup>	56 Hz – 17,000 Hz
Frequency range (-10 dB) (Hz) <sup>1</sup>	45 Hz – 20,000 Hz
Maximum sound pressure level at a distance of 1 m (dB) <sup>2,3</sup>	126 dB
Coverage angle HxV (°)	90° x 60°
Amplifier rating (W)	1000 W
Power consumption (V, Hz) <sup>4</sup>	100 - 240 V~, 50 - 60 Hz, 1.0 - 0.5 A
LF transducer size (in)	15 in
LF transducer magnet material	Ferrite
HF transducer size (in)	1 in
HF transducer type	Compression driver
HF transducer diaphragm material	PEI

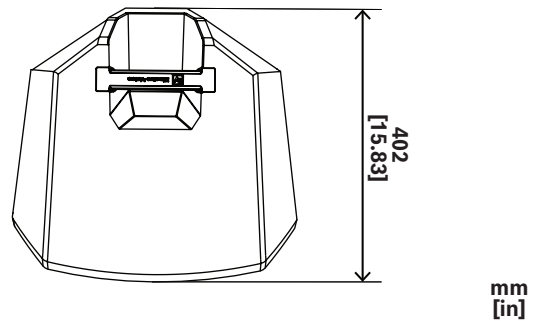
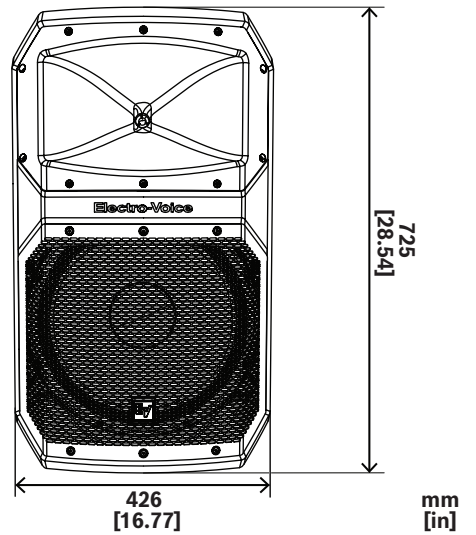
HF transducer magnet material	Neodymium
Crossover frequency (kHz)	1.9 kHz
Connector type	(2) XLR/TRS combo jack mic/line input (1) XLR mix output
Enclosure	Composite
Grille material	Powder coated steel
Color	Black
Dimensions (H x W x D) (mm)	725 mm x 426 mm x 402 mm
Dimensions (H x W x D) (in)	28.54 in x 16.77 in x 15.83 in
Shipping dimensions (H x W x D) (mm)	762 mm x 485 mm x 455 mm
Shipping dimensions (H x W x D) (in)	30.00 in x 19.10 in x 17.91 in
Weight (kg)	14.60 kg
Weight (lb)	32.20 lb
Shipping weight (kg)	19.5 kg
Shipping weight (lb)	43.0 lb

- 1) Full-space measurement using music DSP preset.
- 2) Half-space measurement using the music DSP preset and 150 Hz low pass.
- 3) Maximum SPL is measured at 1 m using broadband pink noise at maximum output.
- 4) Current rating is 1/8 power.

**Frequency response**



**Dimensions**



**Ordering information**

**EVIVA15P-US 15" 2-way powered speaker, US cord**  
 United States cord, NEMA 5-15P (IEC Type B), black  
 Order number **EVIVA15P-US | F.01U.426.607**

**EVIVA15P-EU 15" 2-way powered speaker, EU cord**  
 Europe cord, LP34A CEE 7/7 (IEC Types E & F), black  
 Order number **EVIVA15P-EU | F.01U.426.609**

**EVIVA15P-IN 15" 2-way powered speaker, IN cord**  
 India cord, IA6A3 (IEC Type D), black  
 Order number **EVIVA15P-IN | F.01U.426.613**

**EVIVA15P-BR 15" 2-way powered speaker, BR cord**  
 Brazil cord, NBR14136 BR2-10P (IEC Type N), black  
 Order number **EVIVA15P-BR | F.01U.426.611**

**EVIVA15P-NC 15" 2-way powered speaker, no cord**  
 No cord, black  
 Order number **EVIVA15P-NC | F.01U.426.615**

**EVIVA15P-VN 15" 2-way powered speaker, Vietnam**  
 Europe cord, LP34A CEE 7/7 (IEC Types E & F), black  
 Order number **EVIVA15P-VN | F.01U.431.862**

**Accessories**

**BRKT-POLE-L Wall mount bracket 12", 15" 2-way speaker**

Pole mount bracket for loudspeakers up to 15 inches, black  
 Order number **BRKT-POLE-L | F.01U.385.537**

**TSP-1 EV Tripod stand package**

Set of 2 speaker stands and carry bag, black

Order number **TSP-1 | F.01U.117.867**

---

**TSS-1 EV Tripod stand, single tripod stand**

EV tripod stand, single tripod stand

Order number **TSS-1 | F.01U.144.916**

---



<https://www.electrovoice.com>